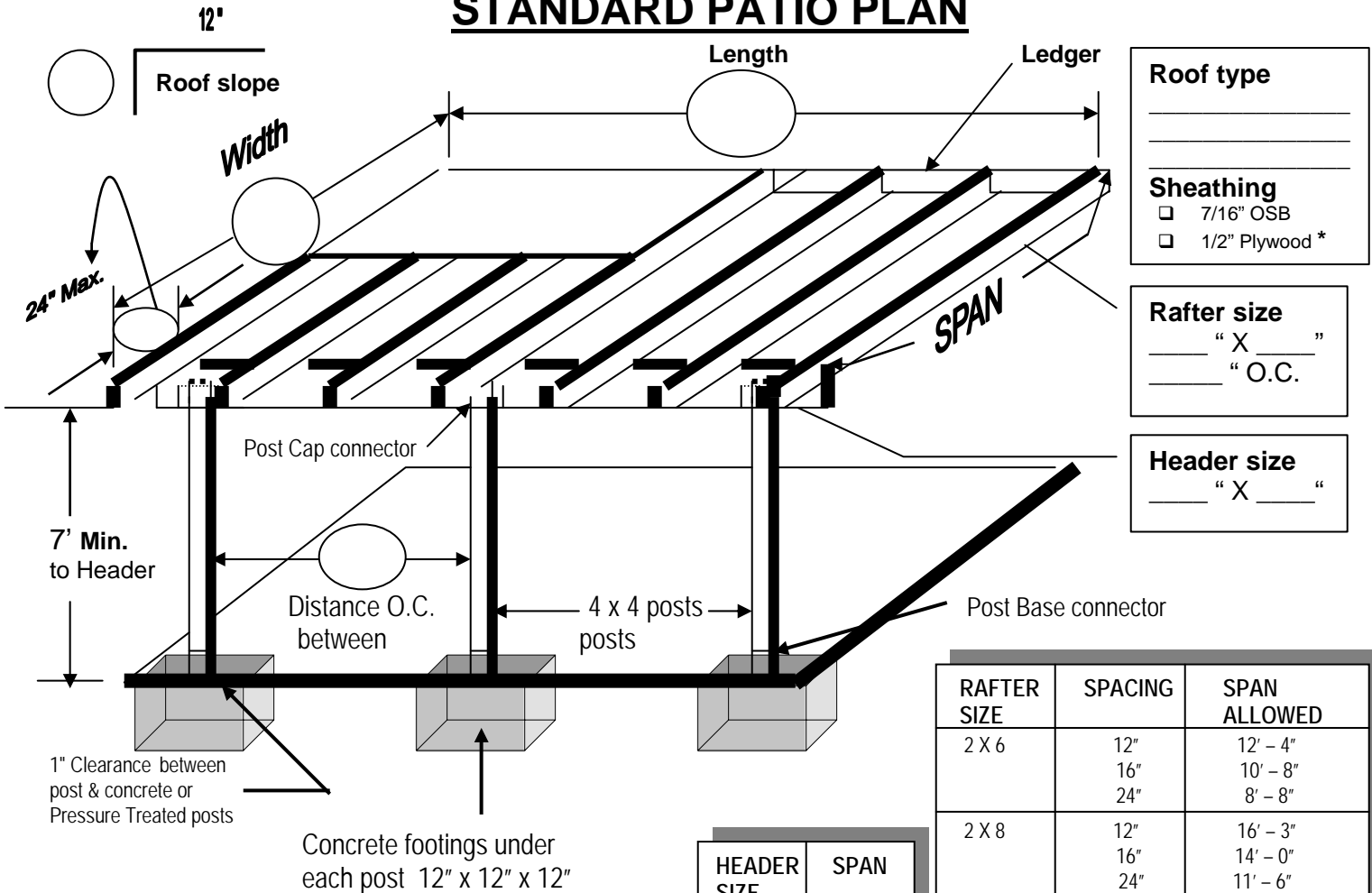




## STANDARD PATIO PLAN

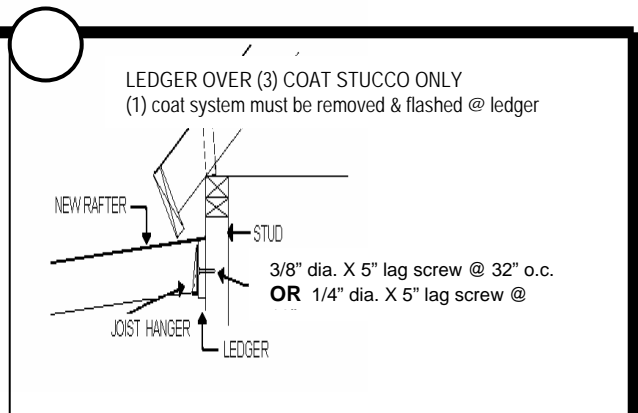
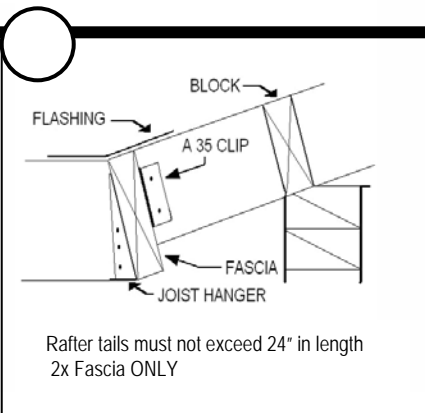
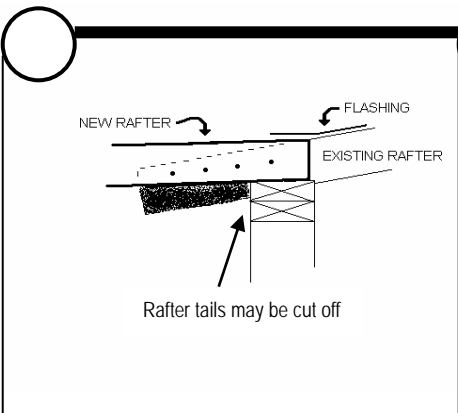


<b>Roof type</b>	_____
<b>Sheathing</b>	_____
<input type="checkbox"/> 7/16" OSB	
<input type="checkbox"/> 1/2" Plywood *	
<b>Rafter size</b>	_____ " X _____ "
	_____ " O.C.
<b>Header size</b>	_____ " X _____ "

RAFTER SIZE	SPACING	SPAN ALLOWED
2 X 6	12"	12' - 4"
	16"	10' - 8"
	24"	8' - 8"
2 X 8	12"	16' - 3"
	16"	14' - 0"
	24"	11' - 6"
2 X 10	12"	20' - 8"
	16"	17' - 11"
	24"	14' - 8"
2 X 12	12"	25' - 2"
	16"	21' - 9"
	24"	17' - 9"

HEADER SIZE	SPAN
4 X 6	6 FT.
4 X 8	8 FT.
4 X 10	10 FT.
4 X 12	12 FT.

**Approved methods of attachments**  
Check one



This design not approved to be enclosed.  
 \* Exposed plywood shall be CCX or better.