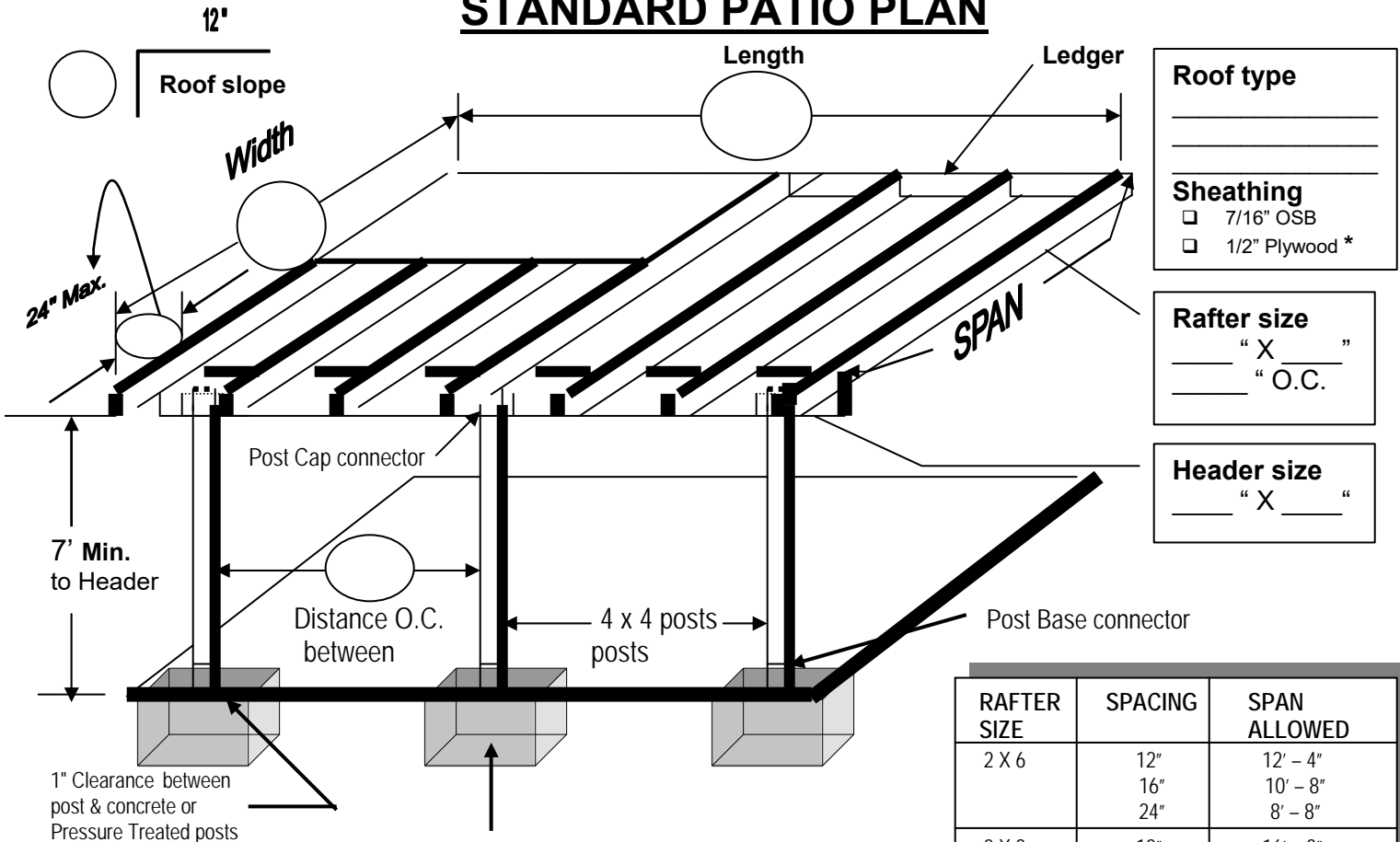




City of Clovis Building Division

1033 Fifth Street Clovis, California 93612 (559) 324-2390

STANDARD PATIO PLAN



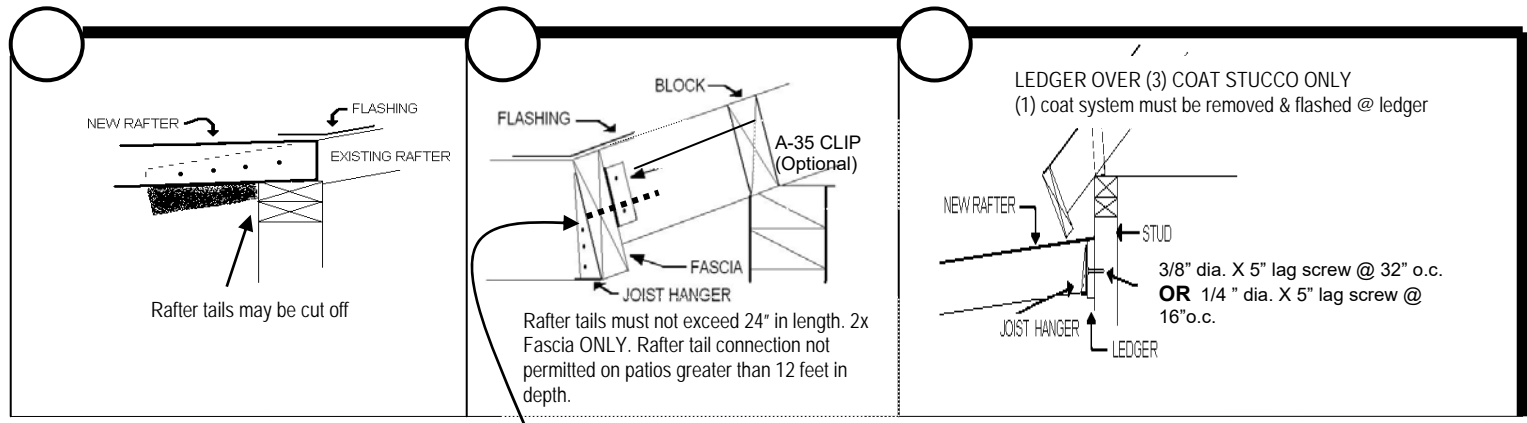
Roof type	_____
Sheathing	<input type="checkbox"/> 7/16" OSB <input type="checkbox"/> 1/2" Plywood *
Rafter size	_____ " X _____" _____ " O.C.
Header size	_____ " X _____"

RAFTER SIZE	SPACING	SPAN ALLOWED
2 X 6	12"	12' - 4"
	16"	10' - 8"
	24"	8' - 8"
2 X 8	12"	16' - 3"
	16"	14' - 0"
	24"	11' - 6"
2 X 10	12"	20' - 8"
	16"	17' - 11"
	24"	14' - 8"
2 X 12	12"	25' - 2"
	16"	21' - 9"
	24"	17' - 9"

HEADER SIZE	SPAN
4 X 6	6 FT.
4 X 8	8 FT.
4 X 10	10 FT.
4 X 12	12 FT.

Approved methods of attachments

Check one



(1) 1/4" dia. X 4" lag screw attaching fascia to EACH rafter tail. Pilot holes REQUIRED.

This design not approved to be enclosed.
* Exposed plywood shall be CCX or better.