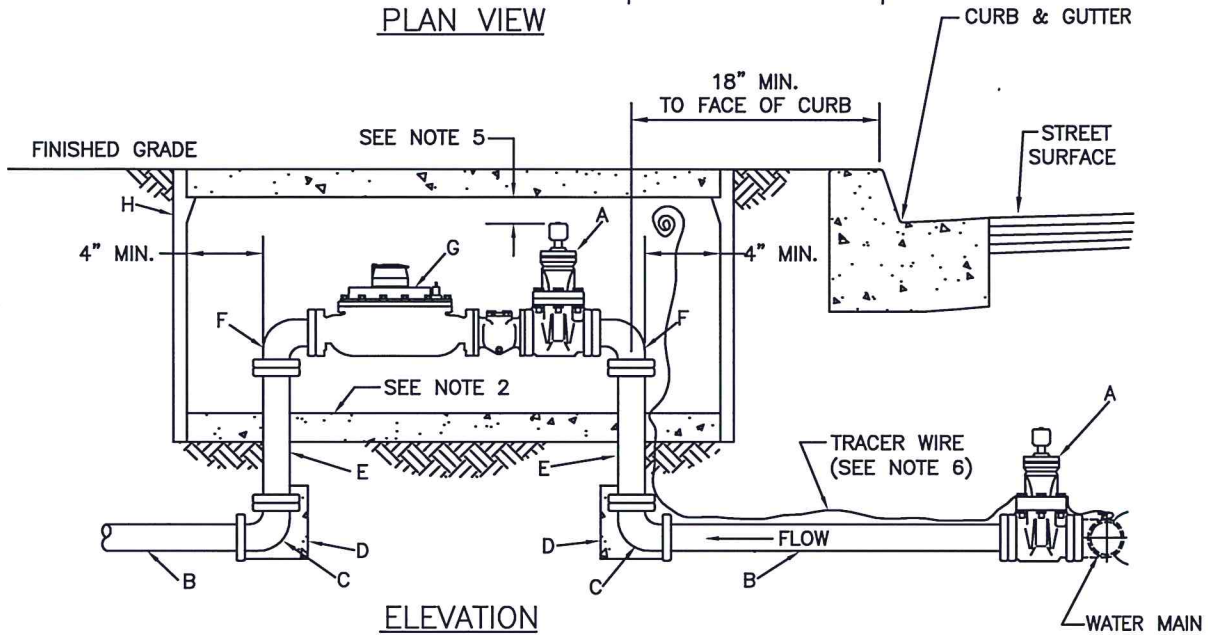


PLAN VIEW



ELEVATION

LEGEND:

- A. 6" FLANGED GATE VALVE, CCW TO OPEN.
- B. 6" PVC C900 OR DUCTILE IRON PIPE CLASS 150 OR HIGHER.
- C. 6" DUCTILE IRON FLANGE x MJ ELBOW.
- D. THRUST BLOCK SEE STD. DWG. W-15.
- E. 6" DUCTILE IRON FLANGED SPOOL, LENGTH AS NEEDED.
- F. 6" DUCTILE IRON FLANGED ELBOW.
- G. FLANGED 6" TURBO METER AND WATER METER STRAINER (SEE NOTE 4).
- H. CHRISTY B52 BOX & B52M3 LID, SIZED TO FIT.

NOTES:

- 1. VALVES TO BE MUELLER A-2360 WITH 2" SQUARE NUTS, CCW TO OPEN.
- 2. 6" SEAL/BENCH WITH CONCRETE INSIDE OF VAULTS.
- 3. METER BOX IN SIDEWALK OR PLACE 3-1/2" THICK CL2 CONCRETE SLAB, 1' ON ALL SIDES OF BOX.
- 4. 27-1/4" GALVANIZED SPACER SHALL BE INSTALLED IN PLACE OF THE METER/ STRAINER (G).
- 5. TOP OF OPERATIVE SQUARE NUT TO BE 4" MIN. TO 12" MAX BELOW BOTTOM OF LID.
- 6. TRACER WIRE TO BE #10 STRANDED COPPER WITH WHITE INSULATION.



CITY OF CLOVIS

DWG NO.

W-12

6" TURBO WATER SERVICE

REF. STD. SPECIFICATIONS SECTION 66

APPROVED BY:

NO.

REVISED

BY

APPROVALS

SCALE: NTS

CITY ENGINEER

DATE:

m/r/10

10-05-09

01-07-16

BGJ

BGJ

CM

DRU

PUD

[Signature]

DRAWN BY: JA

SHEET 1 OF 1